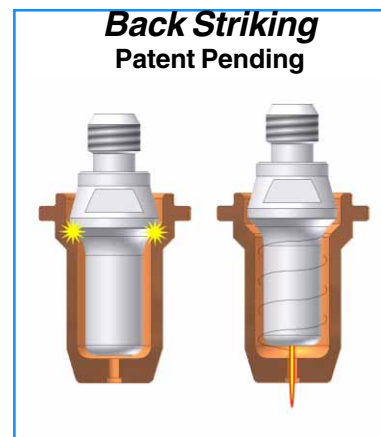
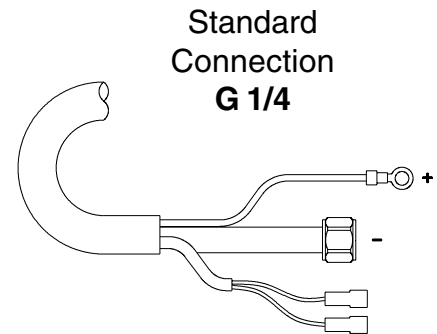
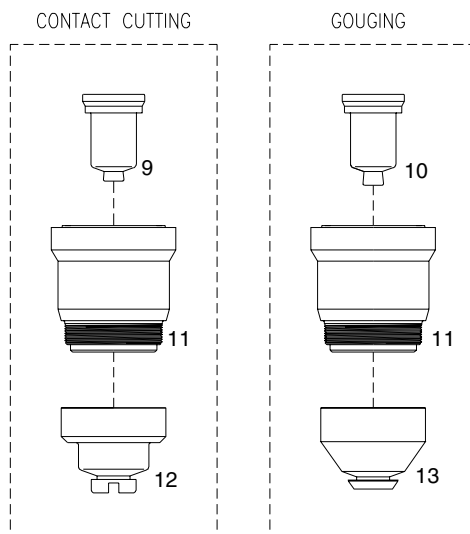
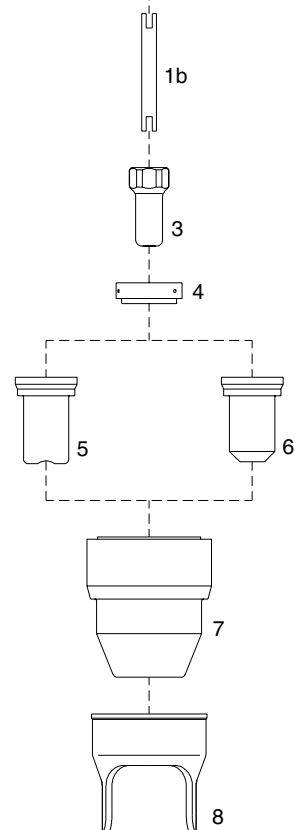
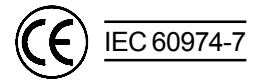
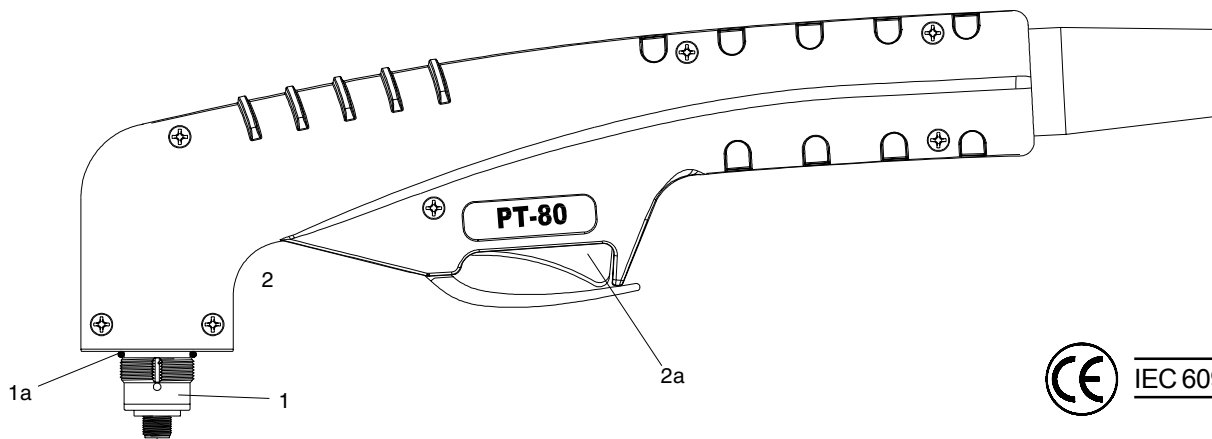


**Technical Data PT-80**

**Current :** 30-80 Amps  
**Duty Cycle:** 80 Amps 60%  
**Gas:** Air/N2  
**Gas Pressure:** 65-75 psi ( 4.4-5.0 bar )  
**Gas Flow:** 230 scfh ( 110 lpm )  
**Pilot :** Electrode to Tip  
**Ignition:** Without HF

For the correct operation please use:  
 3-Ways Solenoid Valve, inside orifice  
 2.7-3.0 mm - (0.106-0.118 inches)



## Replacement Parts **PT-80**

### Torch parts

Item#	Description	Catalog #
1	● <b>PT-80</b> 70° Torch Head	09800
1a	● O-Ring	51620.60
1b	● Cooling Tube	09800.42
2	● Handle with Switch	09705
2a	● Switch	07301.20
3	● Electrode, <b>Back Striking</b>	52558
4	● Gas Distributor	60027
5	Tip, Contact Cutting, $\varnothing$ 0.9, 30-40A, <b>Back Striking</b>	51310.09
6	Tip, Cutting, $\varnothing$ 1.0, 40-50A, <b>Back Striking</b>	51311.10
	Tip, Cutting, $\varnothing$ 1.1, 50-60A, <b>Back Striking</b>	51311.11
	Tip, Cutting, $\varnothing$ 1.2, 60-70A, <b>Back Striking</b>	51311.12
	● Tip, Cutting, $\varnothing$ 1.3, 70-80A, <b>Back Striking</b>	51311.13
7	● Retaining Cap	60510
8	● Double Pointed Spacer (for use with item. 6 only)	60434
N/S	● Wrench for electrode	60368

● Standard Layout

**NEW**  
Coaxial Cable

### Torches and Leads

<b>PT-80</b>	70° Hand Torch, 6m (20 ft) Leads, <b>Coaxial Cable</b>	09820CX
<b>PT-80</b>	70° Hand Torch, 12m (40 ft) Leads, <b>Coaxial Cable</b>	09825CX
<b>PT-80</b>	70° Lead Assembly, 6m (20 ft) Length, <b>Coaxial Cable</b>	09780CX
<b>PT-80</b>	70° Lead Assembly, 12m (40 ft) Length, <b>Coaxial Cable</b>	09785CX

### Accessories

Item#	Description	Catalog #
9	Contact Tip, $\varnothing$ 1.0, 40-50A, <b>Back Striking</b>	51311S.10
	Contact Tip, $\varnothing$ 1.1, 50-60A, <b>Back Striking</b>	51311S.11
	Contact Tip, $\varnothing$ 1.2, 60-70A, <b>Back Striking</b>	51311S.12
	Contact Tip, $\varnothing$ 1.3, 70-80A, <b>Back Striking</b>	51311S.13
10	Tip, Gouging, 80A, <b>Back Striking</b>	51311G.16
11	Shield Cup Body	60511
12	Shield Cap, Hand	60504
13	Shield Cap, Gouging	60508
N/S	Circle Cutting Attachment	51853

**Monogas**

**Air or N<sub>2</sub>**

*Torches with different cable covers and central connector available on request.*

